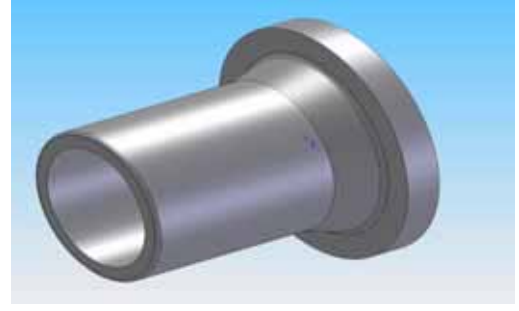
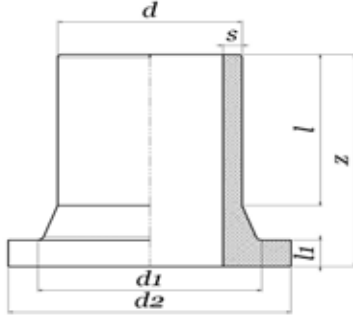


Flanş adaptörü



d	PE 100			SDR 11 / S 5			PN 16			
	parça kodu item code	d1	d2	l	l1	z	s	ağırlık weight	kolidek i adet	price
mm		mm	mm	mm	mm	mm	mm	kg	adet/koli	euro
20	01.117.100.0020	27.0	45.0	64.0	7.0	89.0	3.0	0.027		2.51
25	01.117.100.0025	33.0	58.0	65.0	9.0	86.0	3.0	0.037		2.64
32	01.117.100.0032	42.0	68.0	54.0	10.0	80.0	3.0	0.051		3.30
40	01.117.100.0040	51.0	78.0	57.0	11.0	85.0	3.7	0.085		3.63
50	01.117.100.0050	61.0	88.0	63.0	12.0	92.0	4.6	0.126		4.62
63	01.117.100.0063	75.0	102.0	69.0	14.0	100.0	5.8	0.185		4.95
75	01.117.100.0075	89.0	122.0	87.0	16.0	120.0	6.8	0.305		6.66
90	01.117.100.0090	106.0	138.0	101.0	17.0	140.0	8.2	0.471		8.75
110	01.117.100.0110	126.0	158.0	120.0	18.0	160.0	10.0	0.722		12.25
125	01.117.100.0125	132.0	158.0	123.0	25.0	170.0	11.4	0.922		14.00
140	01.117.100.0140	155.0	188.0	130.0	25.0	191.0	12.7	1.319		21.00
160	01.117.100.0160	176.0	212.0	133.0	25.0	180.0	14.6	1.675		24.50
180	01.117.100.0180	180.0	212.0	160.0	30.0	190.0	16.4	1.986		32.55
200	01.117.100.0200	234.0	268.0	132.0	32.0	200.0	18.2	3.420		36.75
225	01.117.100.0225	235.0	268.0	138.0	32.0	200.0	20.5	4.987		45.50
250	01.117.100.0250	285.0	320.0	202.0	35.0	275.0	22.7	5.817		99.00
280	01.117.100.0280	291.0	320.0	302.0	35.0	377.0	25.4	8.493		115.50
315	01.117.100.0315	335.0	370.0	302.0	35.0	382.0	28.6	11.211		138.60
355	01.117.100.0355	370.0	430.0	165.0	40.0	255.0	32.2	12.300		165.00
400	01.117.100.0400	423.0	480.0	180.0	45.0	285.0	36.3	14.600		293.70

ENJEKSİYON
2006 FİYAT LİSTESİ

PE 100 Gaz ve Su Fittings Sistemleri



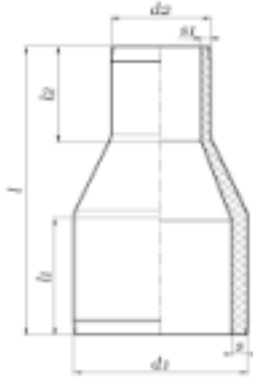
Flanş



d	PP-St		SDR 17-SDR11/S8-S5					PN 10/16			
	parça kodu item code	D	a	k	b	l	SC	delik adedi	ağırlık weight	kolide ki adet	price
mm		mm	mm	mm	mm	mm	mm		kg	adet/koli	euro
25	05.115.120.0025	105.0	34.0	75.0	12.0	14.0	M12				5.00
32	05.115.120.0032	115.0	42.0	85.0	16.0	14.0	M12				6.30
40	05.115.120.0040	140.0	51.0	100.0	16.0	18.0	M16				7.40
50	05.115.120.0050	150.0	62.0	110.0	18.0	18.0	M16	4			8.90
63	05.115.120.0063	165.0	78.0	125.0	18.0	18.0	M16	4			11.20
75	05.115.120.0075	185.0	92.0	145.0	18.0	18.0	M16	4	1.050		12.50
90	05.115.120.0090	200.0	108.0	160.0	20.0	18.0	M16	8	1.354		15.20
110	05.115.120.0110	220.0	128.0	180.0	20.0	18.0	M16	8	1.564		20.80
125	05.115.120.0125	220.0	135.0	180.0	20.0	18.0	M16	8			20.80
140	05.115.120.0140	250.0	158.0	210.0	24.0	18.0	M16	8			23.90
160	05.115.120.0160	285.0	178.0	240.0	24.0	22.0	M20	8			32.10
180	05.115.120.0180	285.0	188.0	240.0	24.0	22.0	M20	8			32.10
200	05.115.120.0200	340.0	235.0	295.0	27.0	22.0	M20	8			46.90
225	05.115.120.0225	340.0	238.0	295.0	27.0	22.0	M20	8			46.90
250	05.115.120.0250	395.0	288.0	350.0	30.0	22.0	M20				
280	05.115.120.0280	395.0	294.0	350.0	30.0	22.0	M20				
315	05.115.120.0315	445.0	338.0	400.0	34.0	22.0	M20				
355	05.115.120.0355	515.0	376.0	460.0	40.0	23.0	M20				
400	05.115.120.0400	574.0	430.0	515.0	40.0	26.0	M24				

ENJEKSİYON
2006 FİYAT LİSTESİ

PE 100 Gaz ve Su Fittings Sistemleri



Redüksiyon

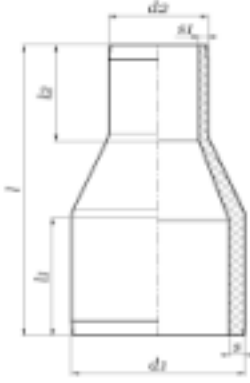


d1-d2	PE 100		SDR 11 / S 5		PN 16		ağırlık weight	kolidek i adet	price
	parça kodu item code	l	l1	l2	s1	s2			
mm		mm	mm	mm	mm	mm	kg	adet/koli	euro
25-20	01.117.080.0026	120.0	54.0	52.0	3.0	3.0	0.022		3.20
32-25	01.117.080.0033	130.0	57.0	52.0	3.7	3.0	0.025		3.20
40-32	01.117.080.0041	130.0	57.0	53.0	3.7	3.0	0.048		3.90
40-25	01.117.080.0042	130.0	57.0	53.0	3.7	3.0	0.043		3.80
50-40	01.117.080.0051	140.0	63.0	57.0	4.6	3.7	0.079		4.65
50-32	01.117.080.0052	140.0	63.0	53.0	4.6	3.0	0.067		4.60
50-25	01.117.080.0053	140.0	63.0	52.0	4.6	3.0	0.065		4.55
63-50	01.117.080.0064	150.0	65.0	63.0	5.8	4.6	0.132		5.60
63-40	01.117.080.0065	150.0	65.0	57.0	5.8	3.7	0.119		5.50
63-32	01.117.080.0066	150.0	65.0	53.0	5.8	3.0	0.110		5.50
63-25	01.117.080.0067	150.0	65.0	52.0	5.8	3.0	0.105		5.50
75-63	01.117.080.0076	170.0	72.0	65.0	6.8	5.8	0.222		5.50
75-50	01.117.080.0077	170.0	72.0	63.0	6.8	4.6	0.190		5.45
75-40	01.117.080.0078	170.0	72.0	57.0	6.8	3.7	0.180		5.40
75-32	01.117.080.0079	170.0	72.0	53.0	6.8	3.0	0.170		5.35
90-75	01.117.080.0091	190.0	81.0	70.0	8.2	6.8	0.361		7.05
90-63	01.117.080.0092	190.0	81.0	65.0	8.2	5.8	0.317		7.00
90-50	01.117.080.0093	190.0	81.0	63.0	8.2	4.6	0.291		6.90
110-90	01.117.080.0111	205.0	86.0	81.0	10.0	8.2	0.557		8.90
110-75	01.117.080.0112	205.0	86.0	70.0	10.0	6.8	0.497		8.80
110-63	01.117.080.0113	205.0	86.0	65.0	10.0	5.8	0.480		7.05
125-110	01.117.080.0126	215.0	92.0	86.0	11.4	10.0	0.810		11.35
125-90	01.117.080.0127	215.0	92.0	81.0	11.4	8.2	0.700		10.70
125-75	01.117.080.0128	215.0	92.0	70.0	11.4	6.8	0.650		10.70
125-63	01.117.080.0129	215.0	92.0	65.0	11.4	5.8	0.580		10.70
140-125	01.117.080.0141	225.0	110.0	92.0	12.7	11.4	0.998		21.90
140-110	01.117.080.0142	225.0	110.0	86.0	12.7	10.0	0.820		21.70
140-90	01.117.080.0143	225.0	110.0	81.0	12.7	8.2	0.690		21.50
140-75	01.117.080.0144	225.0	110.0	70.0	12.7	6.8	0.560		21.30

ENJEKSİYON
2006 FİYAT LİSTESİ

PE 100 Gaz ve Su Fittings Sistemleri

PE 100 Gas and Water Pipings Systems



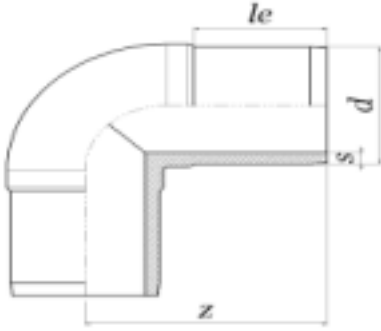
Redüksiyon



d1-d2	PE 100		SDR 11 / S 5		PN 16		ağırlık weight	kolide ki adet	price
	parça kodu item code	l	l1	l2	s1	s2			
mm		mm	mm	mm	mm	mm	kg	adet/koli	euro
160-140	01.117.080.0161	245.0	102.0	96.0	14.6	12.7	1.350		26.50
160-125	01.117.080.0162	245.0	102.0	92.0	14.6	11.4	1.300		26.00
160-110	01.117.080.0163	245.0	102.0	86.0	14.6	10.0	1.280		25.00
160-90	01.117.080.0164	245.0	102.0	81.0	14.6	8.2	1.060		24.00
180-160	01.117.080.0181	255.0	107.0	102.0	16.4	14.6	2.100		37.50
180-140	01.117.080.0182	255.0	107.0	96.0	16.4	12.7	1.980		34.00
180-125	01.117.080.0183	255.0	107.0	92.0	16.4	11.4	1.710		33.90
200-180	01.117.080.0201	275.0	120.0	107.0	18.2	16.4	2.980		46.50
200-160	01.117.080.0202	275.0	120.0	102.0	18.2	14.6	2.640		46.00
200-140	01.117.080.0203	275.0	120.0	96.0	18.2	12.7	2.400		45.50
225-200	01.117.080.0226	285.0	128.0	120.0	20.5	18.2	3.750		55.00
225-180	01.117.080.0227	285.0	128.0	107.0	20.5	16.4	2.980		54.50
225-160	01.117.080.0228	285.0	128.0	102.0	20.5	14.6	2.580		54.20
225-110	01.117.080.0231	285.0	128.0	86.0	20.5	10.0	2.000		53.00
250-225	01.117.080.0251	314.0	155.0	128.0	22.7	20.5	5.100		116.50
250-200	01.117.080.0252	314.0	155.0	120.0	22.7	18.2	4.200		110.20
250-180	01.117.080.0253	314.0	155.0	107.0	22.7	16.4	3.750		107.00
250-160	01.117.080.0254	314.0	155.0	102.0	22.7	14.6	2.980		99.00
280-250	01.117.080.0281	335.0	165.0	155.0	25.4	22.7	6.850		128.50
280-225	01.117.080.0282	335.0	165.0	128.0	25.4	20.5	6.020		126.00
280-200	01.117.080.0283	335.0	165.0	120.0	25.4	18.2	5.850		120.00
280-180	01.117.080.0284	335.0	165.0	107.0	25.4	16.4	5.200		117.00
315-280	01.117.080.0316	375.0	170.0	165.0	28.6	25.4	8.800		292.00
315-250	01.117.080.0317	375.0	170.0	155.0	28.6	22.7	8.100		279.60
315-225	01.117.080.0318	375.0	170.0	128.0	28.6	20.5	7.800		266.00
355-315	01.117.080.0356	390.0	175.0	170.0	32.2	28.6	9.900		307.20
355-280	01.117.080.0357	390.0	175.0	165.0	32.2	25.4	9.500		279.30
400-355	01.117.080.0401	415.0	180.0	175.0	36.3	32.2	11.600		426.80
400-315	01.117.080.0402	415.0	180.0	170.0	36.3	28.6	11.100		406.40

ENJEKSİYON
2006 FİYAT LİSTESİ

PE 100 Gaz ve Su Fittings Sistemleri



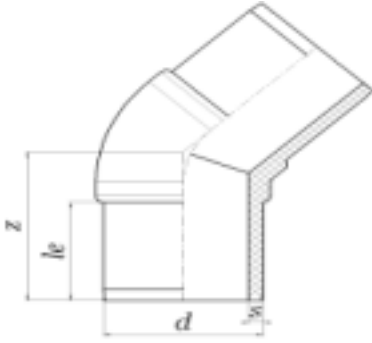
90° Dirsek



d	PE 100		SDR 11 / S 5		PN 16		
	parça kodu item code	le	z	s	ağırlık weight	kolideki adet	price
mm		mm	mm	mm	kg	adet/koli	euro
20	01.117.021.0020	52.0	75.0	3.0	0.027		3.05
25	01.117.021.0025	52.0	80.0	3.0	0.037		3.40
32	01.117.021.0032	54.0	85.0	3.0	0.053		3.40
40	01.117.021.0040	57.0	95.0	3.7	0.092		5.00
50	01.117.021.0050	63.0	105.0	4.6	0.159		5.70
63	01.117.021.0063	65.0	115.0	5.8	0.275		5.85
75	01.117.021.0075	72.0	130.0	6.8	0.412		10.50
90	01.117.021.0090	81.0	150.0	8.2	0.704		10.85
110	01.117.021.0110	86.0	165.0	10.0	1.162		14.20
125	01.117.021.0125	93.0	180.0	11.4	1.609		20.50
140	01.117.021.0140	96.0	190.0	12.7	1.750		34.50
160	01.117.021.0160	103.0	210.0	14.6	3.100		57.70
180	01.117.021.0180	107.0	232.0	16.4	4.319		72.00
200	01.117.021.0200	117.0	253.0	18.2	5.700		112.00
225	01.117.021.0225	122.0	270.0	20.5	7.780		135.00
250	01.117.021.0250	180.0	307.0	22.7	9.500		268.00
280	01.117.021.0280	200.0	340.0	25.4	13.182		405.00
315	01.117.021.0315	210.0	370.0	28.6	17.830		505.00

ENJEKSİYON
2006 FİYAT LİSTESİ

PE 100 Gaz ve Su Fittings Sistemleri



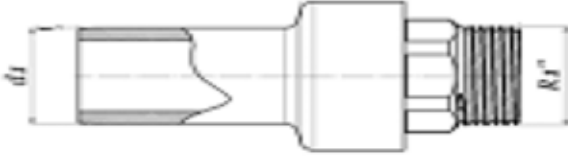
45° Dirsek
45° Elbow



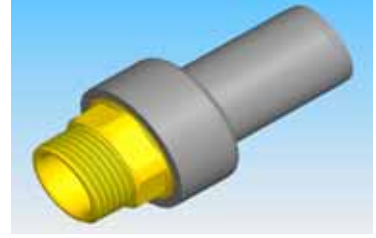
d	PE 100			SDR 11 / S 5		PN 16	
	parça kodu item code	le	z	s	ağırlık weight	kolideki adet	price
mm		mm	mm	mm	kg	adet/koli	euro
20	01.117.022.0020	52.0	50.0	3.0	0.027		3.05
25	01.117.022.0025	52.0	67.0	3.0	0.037		3.35
32	01.117.022.0032	54.0	80.0	3.0	0.051		3.35
40	01.117.022.0040	57.0	85.0	3.7	0.082		5.05
50	01.117.022.0050	63.0	90.0	4.6	0.137		5.70
63	01.117.022.0063	65.0	95.0	5.8	0.300		5.85
75	01.117.022.0075	72.0	105.0	6.8	0.346		10.60
90	01.117.022.0090	81.0	120.0	8.2	0.558		17.80
110	01.117.022.0110	86.0	130.0	10.0	0.931		26.70
125	01.117.022.0125	93.0	140.0	11.4	1.286		31.50
140	01.117.022.0140	96.0	150.0	12.7	1.425		34.30
160	01.117.022.0160	103.0	160.0	14.6	2.461		58.00
180	01.117.022.0180	107.0	170.0	16.4	3.283		82.50
200	01.117.022.0200	117.0	185.0	18.2	4.371		126.00
225	01.117.022.0225	122.0	200.0	20.5	5.930		136.00
250	01.117.022.0250	180.0	217.0	22.7	6.783		265.00
280	01.117.022.0280	200.0	238.0	25.4	9.300		395.00
315	01.117.022.0315	210.0	256.0	28.6	12.300		500.00

ENJEKSİYON
2006 FİYAT LİSTESİ

PE 100 Gaz ve Su Fittings Sistemleri



Pe-Prinç geçiş
adaptörü

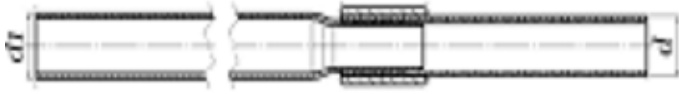


d	PE 100			SDR 11 / S 5		PN 16
	parça kodu item code	d1	R1	ağırlık weight	kolideki adet	price
mm		mm	mm	kg	adet/koli	euro
20x1/2"	01.117.200.0020	20.0	1/2"			9.00
25x3/4"	01.117.200.0025	25.0	3/4"			9.00
32x1"	01.117.200.0032	32.0	1"			12.00
40x1 1/4"	01.117.200.0040	40.0	1 1/4"			16.50
50x1 1/2"	01.117.200.0050	50.0	1 1/2"			20.00
63x2"	01.117.200.0063	63.0	2"			24.00
75x2 1/2"	01.117.200.0075	75.0	2 1/2"			42.00
90x3"	01.117.200.0090	90.0	3"			52.00
110x4"	01.117.200.0110	110.0	4"			60.00

ENJEKSİYON
2006 FİYAT LİSTESİ

PE 100 Gaz ve Su Fittings Sistemleri

PE 100 Gas and Water Pipings Systems



Pe-Çelik geçiş
adaptörü

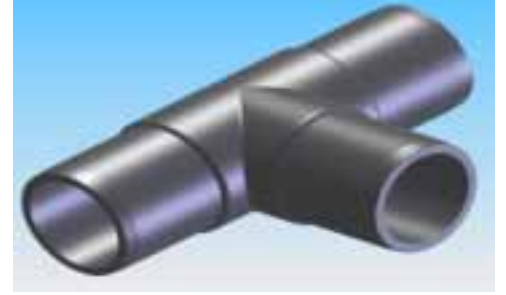


d	PE 100		SDR 11 / S 5		PN 16	
	parça kodu item code	d1	d2	ağırlık weight	kolide ki adet	price
mm		mm	mm	kg	adet/koli	euro
32x1"	01.117.180.3201	32.0	1"			11.30
63x2"	01.117.180.6302	63.0	2"			22.30
90x3"	01.117.180.9003	90.0	3"			67.50
110x4"	01.117.180.1104	110.0	4"			103.50
125x4"	01.117.180.1254	125.0	4"			130.00
125x6"	01.117.180.1256	125.0	6"			238.00
160x6"	01.117.180.1606	160.0	6"			310.00
180x6"	01.117.180.1806	180.0	6"			415.00
200x8"	01.117.180.2008	200.0	8"			490.00
225x8"	01.117.180.2258	225.0	8"			

ENJEKSİYON
2006 FİYAT LİSTESİ

PE 100 Gaz ve Su Fittings Sistemleri

Eşit Tee

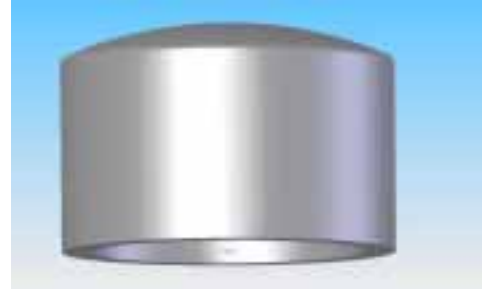
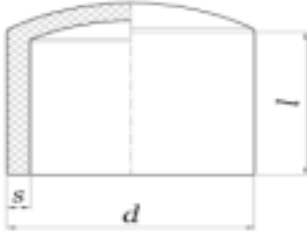


d	PE 100			SDR 11 / S 5		PN 16		
	parça kodu item code	l	le	z	s	ağırlık weight	kolideki adet	price
mm		mm	mm	mm	mm	kg	adet/koli	euro
20	01.117.041.0020	107.0	52.0	54.0	3.0	0.038		6.25
25	01.117.041.0025	117.0	52.0	59.0	3.0	0.054		6.25
32	01.117.041.0032	144.0	54.0	71.0	3.0	0.074		6.70
40	01.117.041.0040	168.0	57.0	84.0	3.7	0.127		6.70
50	01.117.041.0050	189.0	63.0	95.0	4.6	0.217		6.80
63	01.117.041.0063	224.0	65.0	112.0	5.8	0.375		7.20
75	01.117.041.0075	260.0	72.0	128.0	6.8	0.616		10.90
90	01.117.041.0090	286.0	81.0	143.0	8.2	1.031		16.80
110	01.117.041.0110	317.0	86.0	158.0	10.0	1.660		19.30
125	01.117.041.0125	353.0	93.0	174.0	11.4	2.215		35.60
140	01.117.041.0140	380.0	96.0	190.0	12.7	2.931		75.00
160	01.117.041.0160	408.0	103.0	202.0	14.6	4.320		84.00
180	01.117.041.0180	521.0	107.0	246.0	16.4	5.980		90.00
200	01.117.041.0200	493.0	117.0	260.0	18.2	7.760		120.00
225	01.117.041.0225	548.0	122.0	272.0	20.5	10.485		153.00
250	01.117.041.0250	622.0	180.0	310.0	22.7	14.605		221.00
280	01.117.041.0280	694.0	200.0	347.0	25.4	22.760		255.00
315	01.117.041.0315	754.0	210.0	375.0	28.6	29.920		462.00

ENJEKSİYON
2006 FİYAT LİSTESİ

PE 100 Gaz ve Su Fittings Sistemleri

Kör Tapa



d	PE 100		SDR 11 / S 5		PN 16	
	parça kodu item code	l	s	ağırlık weight	kolideki adet	price
mm		mm	mm	kg	adet/koli	euro
20	01.117.140.0020	36.0	3.0	0.009		0.90
25	01.117.140.0025	45.0	3.0	0.013		2.00
32	01.117.140.0032	46.0	3.0	0.017		2.80
40	01.117.140.0040	54.0	3.7	0.031		2.90
50	01.117.140.0050	58.0	4.6	0.050		3.10
63	01.117.140.0063	64.0	5.8	0.085		4.60
75	01.117.140.0075	70.0	6.8	0.145		6.30
90	01.117.140.0090	84.0	8.2	0.240		8.00
110	01.117.140.0110	98.0	10.0	0.387		18.80
125	01.117.140.0125	105.0	11.4	0.546		24.50
140	01.117.140.0140	144.0	12.7	0.835		30.00
160	01.117.140.0160	120.0	14.6	1.026		39.00
180	01.117.140.0180	128.0	16.4	1.369		50.00
200	01.117.140.0200	138.0	18.2	1.839		58.00
225	01.117.140.0225	148.0	20.5	2.500		102.00
250	01.117.140.0250	230.0	22.7	3.927		110.00
280	01.117.140.0280					
315	01.117.140.0315					

